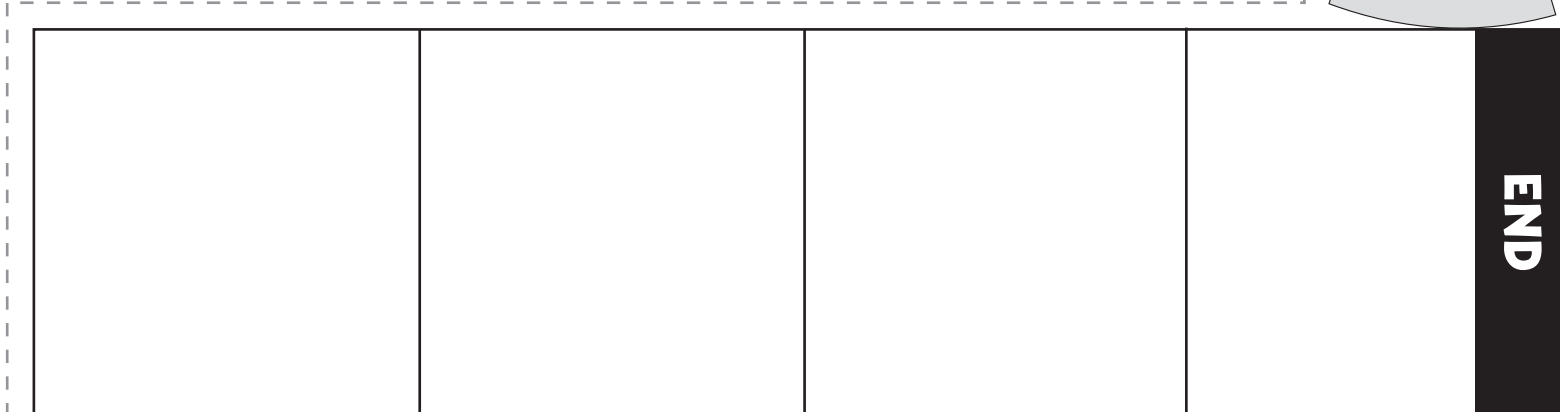
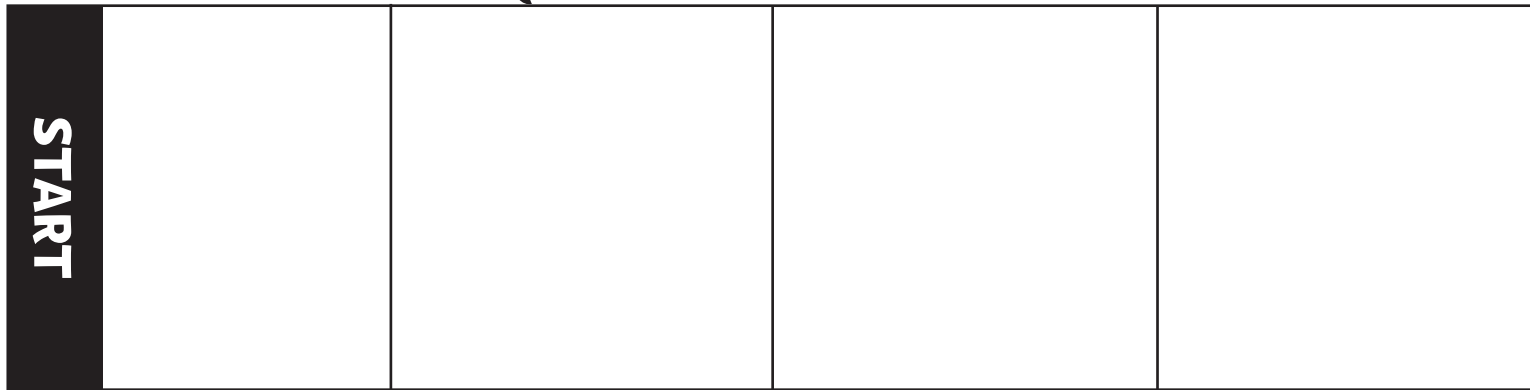




Make Your Own Game!

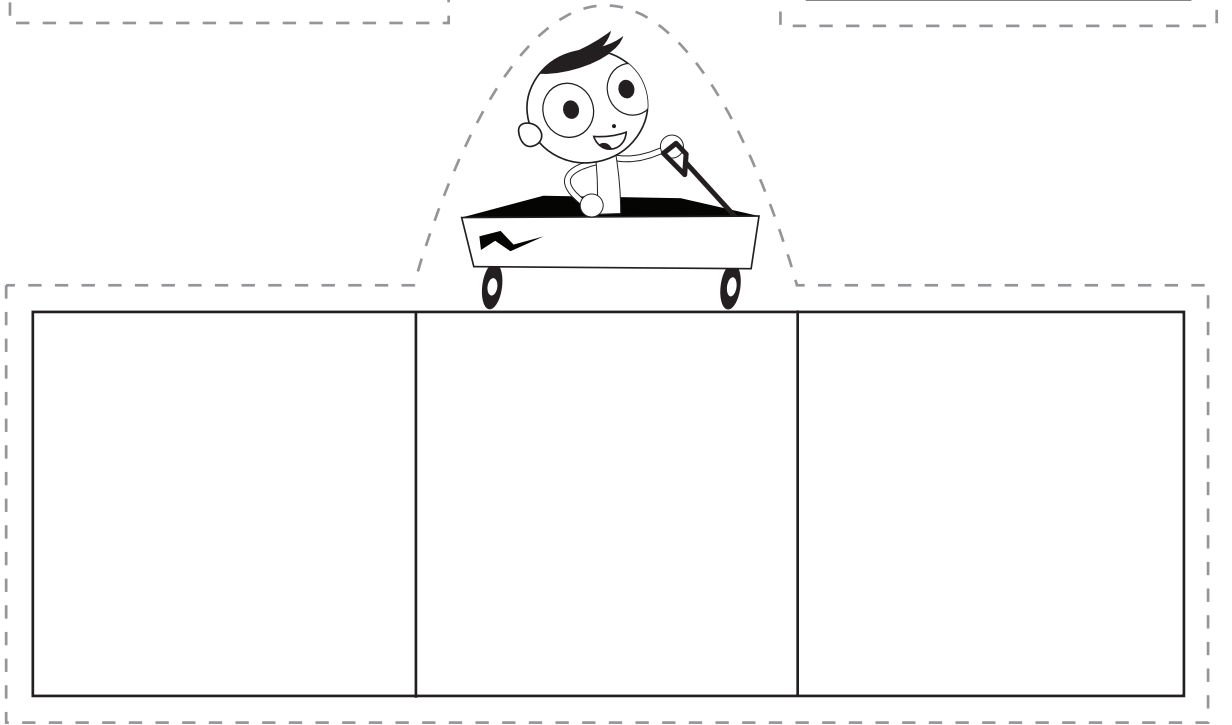
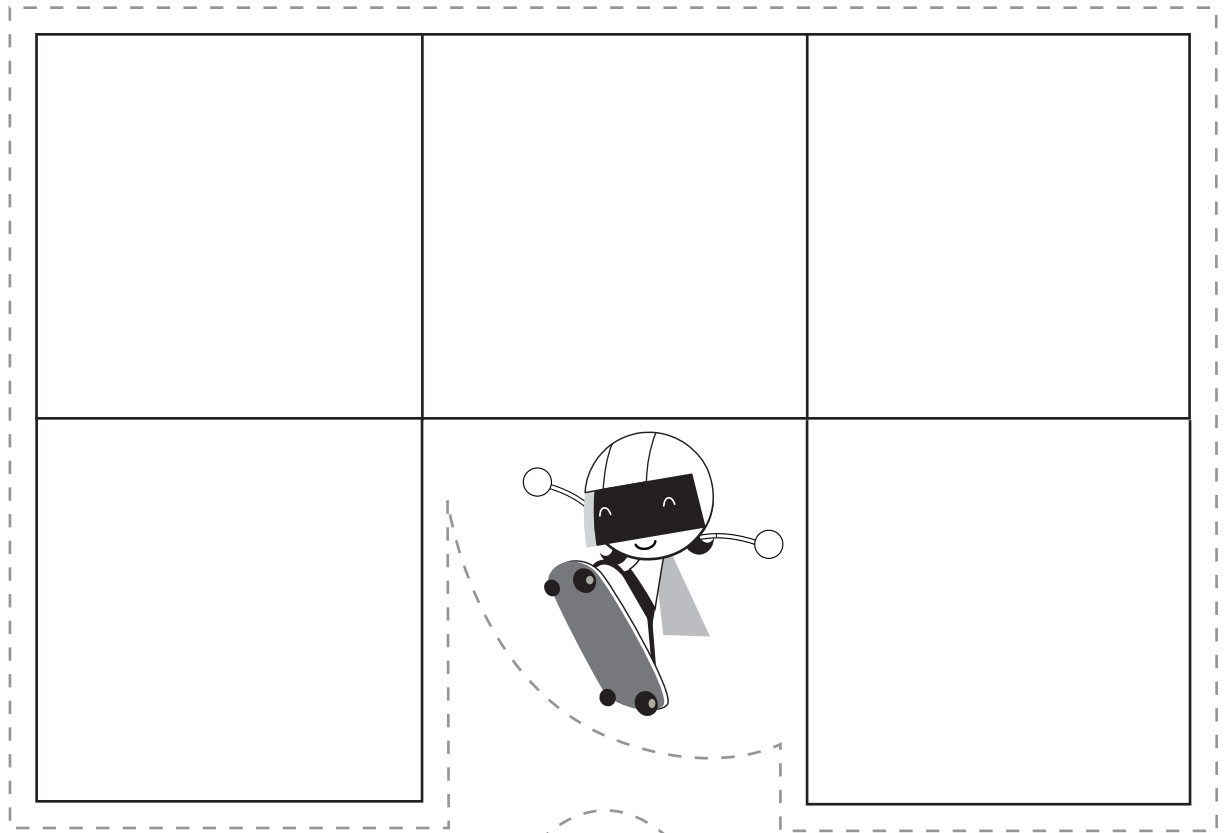
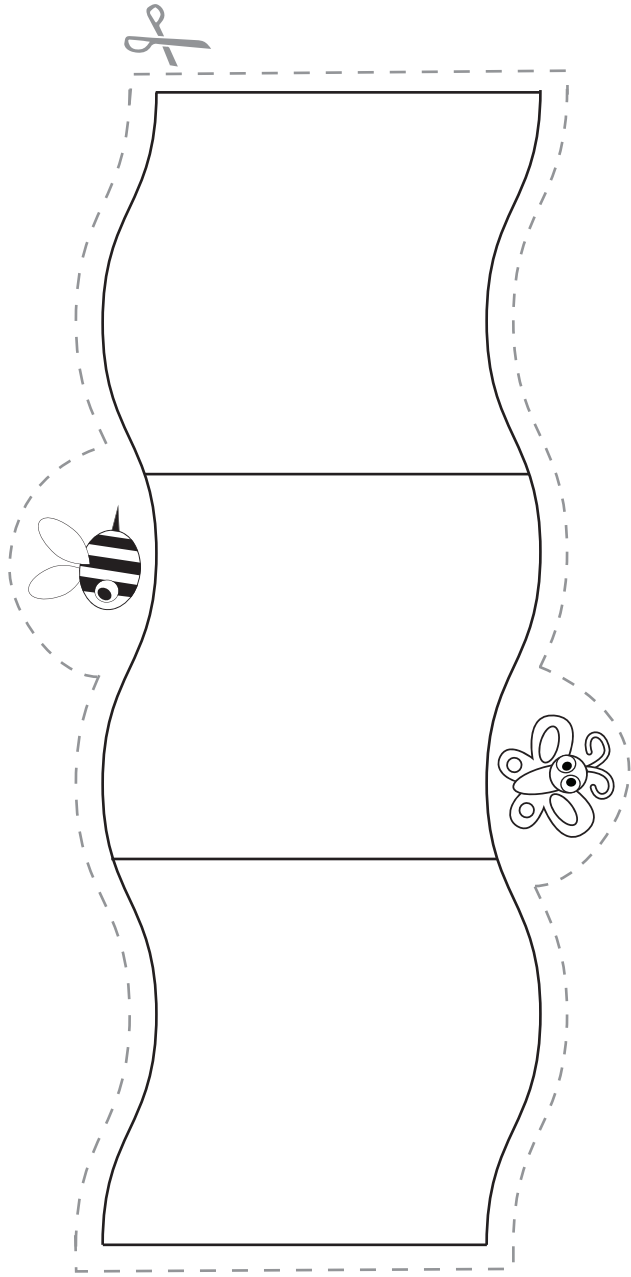
Color and cut out the game squares and playing pieces. Assemble the game board in any pattern you like and write a different math problem in each square. To play, roll a die, move your playing piece that number of squares, and solve the problem you land on. First player to reach the end wins!



Find more games and activities at pbskidsforparents.org

PBS KIDS and the PBS KIDS Logo are registered trademarks of Public Broadcasting Service. Used with permission. Funded by Corporation for Public Broadcasting.

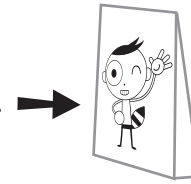




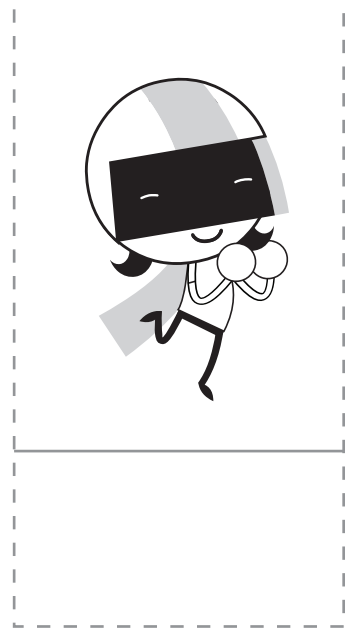
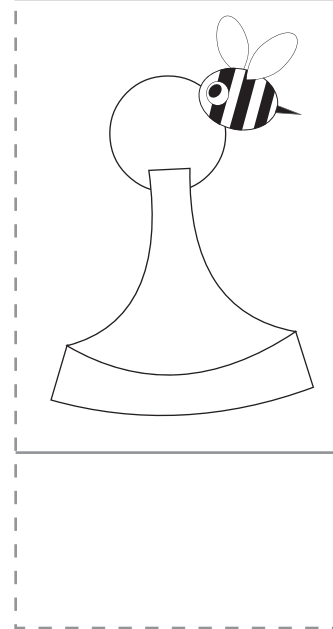
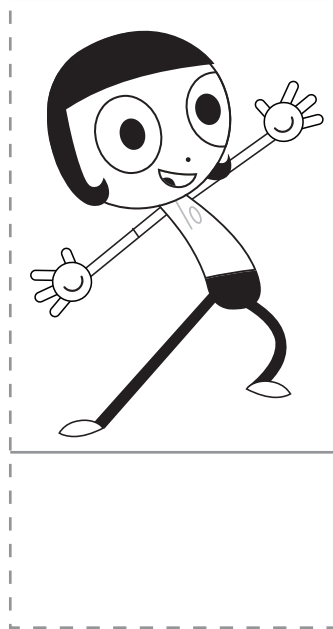
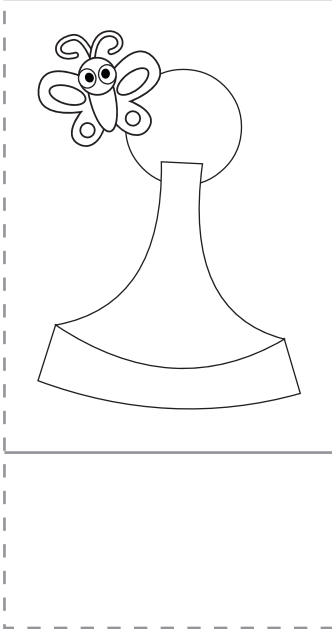
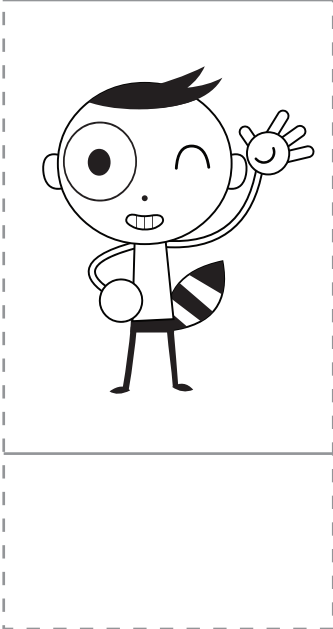
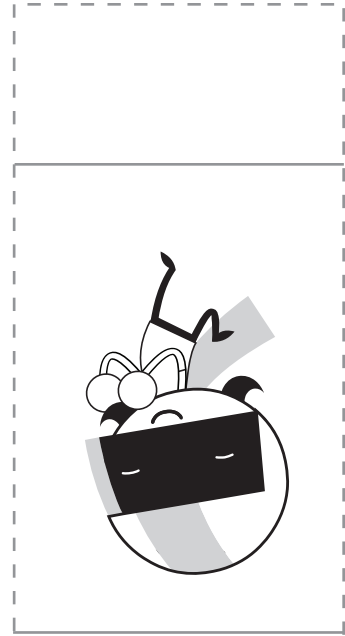
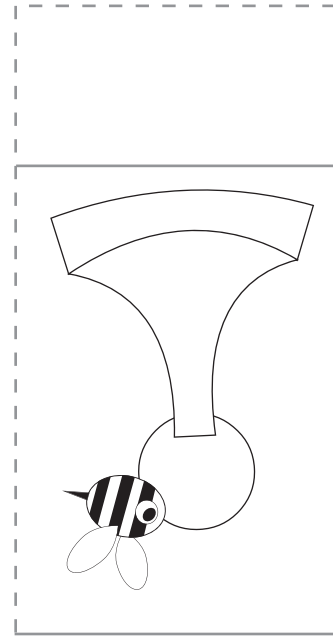
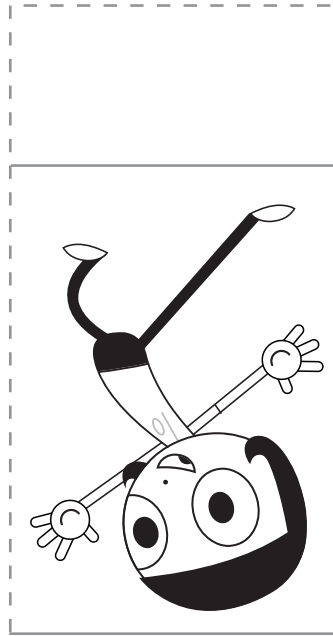
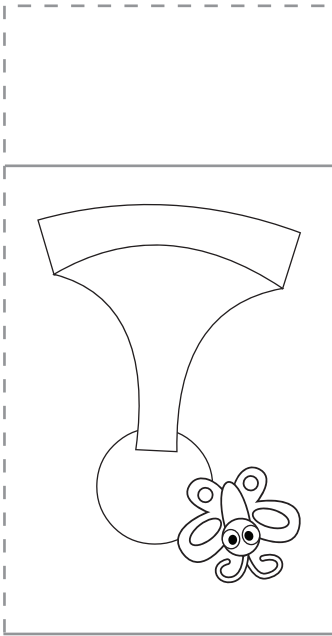
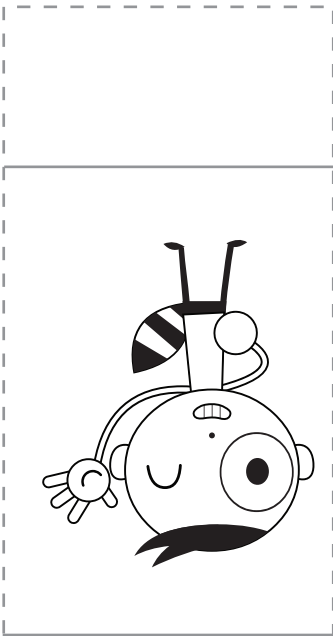


Game Pieces

Cut out each game piece on the dotted line.
Fold the game pieces on the solid line like this.



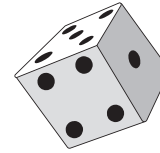
WCNY
connected.





Game Die

Cut out the game die. Fold and tape along the solid lines to turn it into a 3-D cube like this. →



WCNY
connected.

